

Information for occupants

Lower your heating costs simply and easily with a smart thermostat

All the information on running one and using the app at a glance



KALO 

Einfach. Innovativ. Persönlich.
www.kalo.de

Save heating costs thanks to smart thermostats

We have installed a new thermostat in your apartment. With this smart device, you can markedly reduce your heating costs and help protect the climate at the same time: because less energy consumption means lower CO₂ emissions.

Your digital thermostat comes with all kinds of intelligent functions that differentiate it from standard devices. Not only can you save energy, you can also increase the comfort of your home and prevent the formation of mould. After installation, your device is ready to go and can be used to control the temperature produced by the boiler directly.

Overview of basic functions (manual operation)



Exact temperature setting

Set the room temperature you want in degrees Celsius (°C) directly on the thermostat using the rotary button, instead of choosing levels 1 to 5 as you would on a traditional device. The temperature you can see on the screen is the one you have set. The boiler will then be set to run up to your desired temperature.



Humidity measurement

On the smart thermostat screen, the current humidity of the room will be shown to you. A water droplet symbol with a percentage indicates the relative humidity. This will let you know in good time whether you should ventilate the room to prevent the growth of mould. (You can find an explanation of the various symbols on the screen on page 6.)



Open window detection

Open window detection switches the heating off automatically as soon as a window or balcony door is opened. This will save you valuable energy. After 15 minutes, the boiler will start heating again to reach the set temperature.

The smart thermostat in overview

Screen with display of set temperature

(You can find an explanation of all the screen symbols on page 6.)

Rotary button to set the temperature

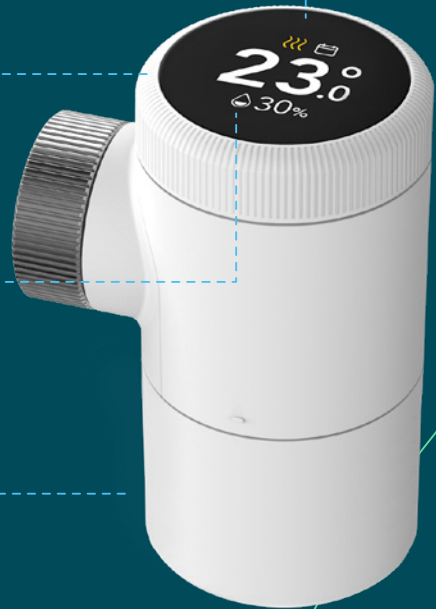
You can set the temperature in a range from 5 to 25°C.

Current humidity

A fully filled-in blue water droplet indicates high humidity. You are advised to briefly ventilate the room.

Battery

The battery has a lifespan of several years. The batteries will be exchanged by KALO in good time during a servicing visit. You don't need to worry about them.



Using the smart thermostat, you always control the desired temperature of the entire space. Any setting will automatically be transferred to all other smart thermostats in the space.

Additional functions with “KALO Smart”

If you want to use additional functions of the smart thermostat on top of the basic ones you can download our app, “KALO Smart”.

Downloading and using the app are entirely voluntary. If you don't want to use the app you will still be able to use the basic functions and will still be able to save energy.

The app functions in overview

Individual heating plans for each room

With the KALO Smart app you can decide on individual heating plans for each room of your house. For example, you can have the bathroom heated only in the morning and evening when you usually use it.

In the intervening period, heating will be reduced and energy consumption lowered without limiting the comfort of your home. Schedules can be created individually for each room of the house.

Controlling the thermostat on the go

Outside of the schedules, you can also remotely control the temperature using the app – whether from the comfort of your sofa or when travelling. It's easy and useful.

Child-lock settings

Using the app you can put a child-lock on each thermostat, meaning any manual changes to the smart thermostat are ignored. This ensures that the schedules that have been set are stuck to and energy is saved.



Use of the app is voluntary and respects data privacy. All basic functions of the smart thermostat can be made use of without it.

Set up the app and save energy



Please download the “KALO Smart” app from the Apple Store or Google Play directly to your smartphone.



Click “register now”, enter the information and follow the instructions.



You will be requested to enter the ten-digit number from two thermostats of your choice in your apartment. To do so, turn the rotary knob of the thermostat anticlockwise until the device number (e.g. VA 0123456789) appears on the screen.



After entering the serial numbers our experts will check them. After three working days at the most we will tell you by email that you can use the app to its fullest extent.



Laden im
App Store



JETZT BEI
Google Play



Our KALO Smart app will help you save money and increase the comfort of your home.

The display symbols on the smart thermostat



Schedule mode (standard)

Temperature control runs to a pre-set schedule: during the night (from 9 p.m. to 7 a.m.) the temperature is reduced by 2°C.



Schedule mode (individual)

Temperature control runs to your individual pre-set schedule. You can set up different schedules for each room using the KALO Smart app.



Manual mode

The temperature is controlled by the values set on the smart thermostat. Any schedules programmed in are deactivated.



Open window detection

Automatic detection of an open window and pausing of the boiler.



Heat output

The heat output of the boiler is automatically set as needed in order to maintain the set room temperature.

- 1 flame = low heat output
- 2 flames = medium heat output
- 3 flames = high heat output



Change battery

If, against expectations, a change of battery is required before the KALO servicing appointment and this symbol appears on the screen, please call the service hotline.



Limescale buildup prevention

Every fortnight the smart thermostat will automatically test-run the motor to prevent limescale buildup in the valve.



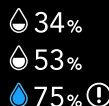
Child-lock

The child-lock blocks operation of the smart thermostat on the boiler.



No wireless connection

The smart thermostat currently has no wireless connection.



Measured air humidity

Displays the current relative humidity in the room.

Recommendation: ventilate the room for 5 to 10 minutes if humidity goes beyond 60% and the full blue water droplet symbol appears. This indicates a risk of mould growth.

Dry 0–35 %
Average 35–60 %
Damp 60–70 %
Too damp 70–100 %



Download the “KALO Smart” app to your smartphone to use further functions and gain additional benefits.

Answers to frequently asked questions

How can I work the thermostat without the app?

You can work the thermostat just like an ordinary one. It's perfectly easy to set the temperature manually using the rotary knob. Unlike manual thermostats, you can set the desired room temperature exactly. This lets you reduce energy consumption and yet stay comfortable.

Can I control a smart thermostat via a PC or laptop?

No, unfortunately you can't. To control and use the app, you need a smartphone or tablet. Minimum requirements of the operating system:

- ⊕ Android from version 5.1
- ⊕ iOS or iPadOS from version 13.0

I set the room temperature in the app. Why doesn't the temperature display change on the thermostat?

Smart thermostats check their value every 10 minutes to see if new commands have been made. This means it can take a few minutes until your change made in the app is executed by the thermostat.

How does "open window detection" work?

Open window detection registers the sudden changes to room temperature or humidity occurring when a window is opened and turns off the heating for 15 minutes to save energy. Open window detection is on as standard.



You can find detailed information on smart thermostats and other FAQs on our information page: www.kalo.de/thermostate

Free service hotline

We are there for you at any time:


+49 800 0009858



Einfach. Innovativ. Persönlich.
www.kalo.de

KALORIMETA GmbH
Heidenkampsweg 40
20097 Hamburg



 Printed on 100% recycled paper

Englisch 1295-11-2023

Free service hotline

We are there for you at any time:

+49 800 0009858

A company of

noventic group